

Vickers® Vane Pumps
Double Vane Type Pump

Service Data
V2020 and V2020F-20 Design
V2020P-20 Design

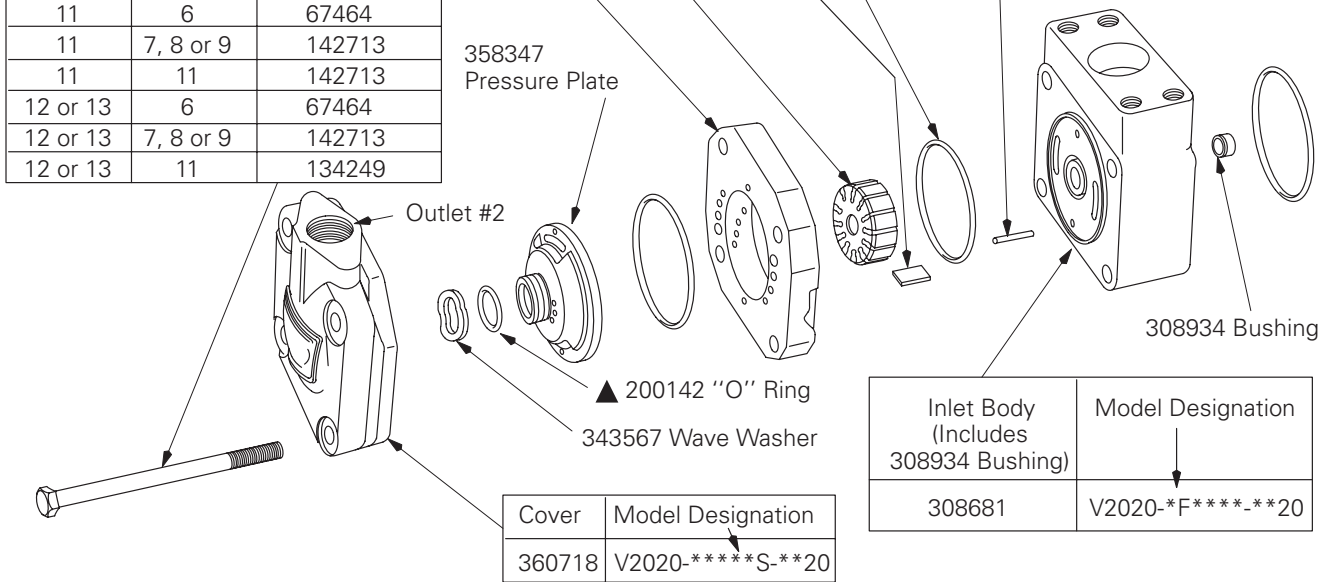


EATON

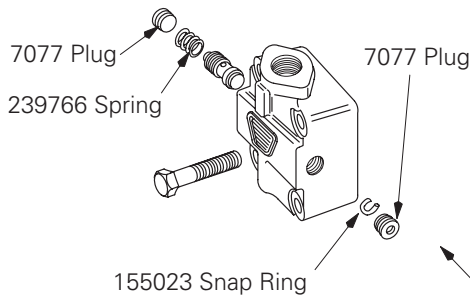
Powering Business Worldwide

Model Designation	Ring	Rotor	Vane Kit (12 Vanes)	"O" Ring (2 req'd)	Cartridge Kit	Pin (2 req'd)
Serviced in Cartridge Kit						
V2020-****6**20	328150	502255	923485	▲ 154090	923480	2456
V2020-****7**20	328152	502256	923493		923481	16662
V2020-****8**20	331791				923483	
V2020-****9**20	331789				923484	
V2020-****11**20	328156	502257	923478		923482	179341

Ring Combinations		Screw (4 req'd) Torque to 75-85 lb. ft.
Shaft End	Cover End	
7, 8 or 9	6	189378
7, 8 or 9	7, 8 or 9	67464
11	6	67464
11	7, 8 or 9	142713
11	11	142713
12 or 13	6	67464
12 or 13	7, 8 or 9	142713
12 or 13	11	134249



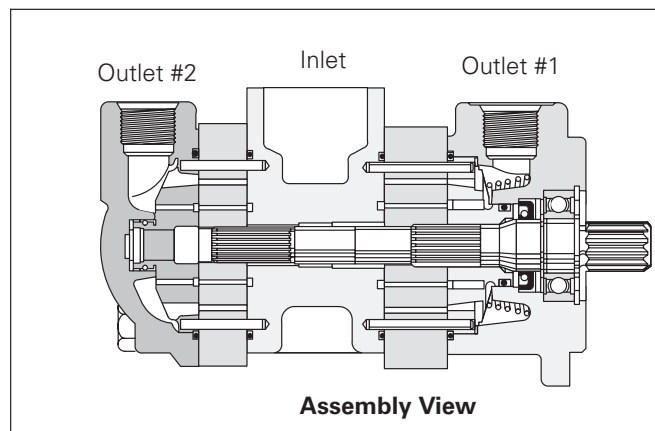
V2020F-*****_**** 20 Flow Control Cover



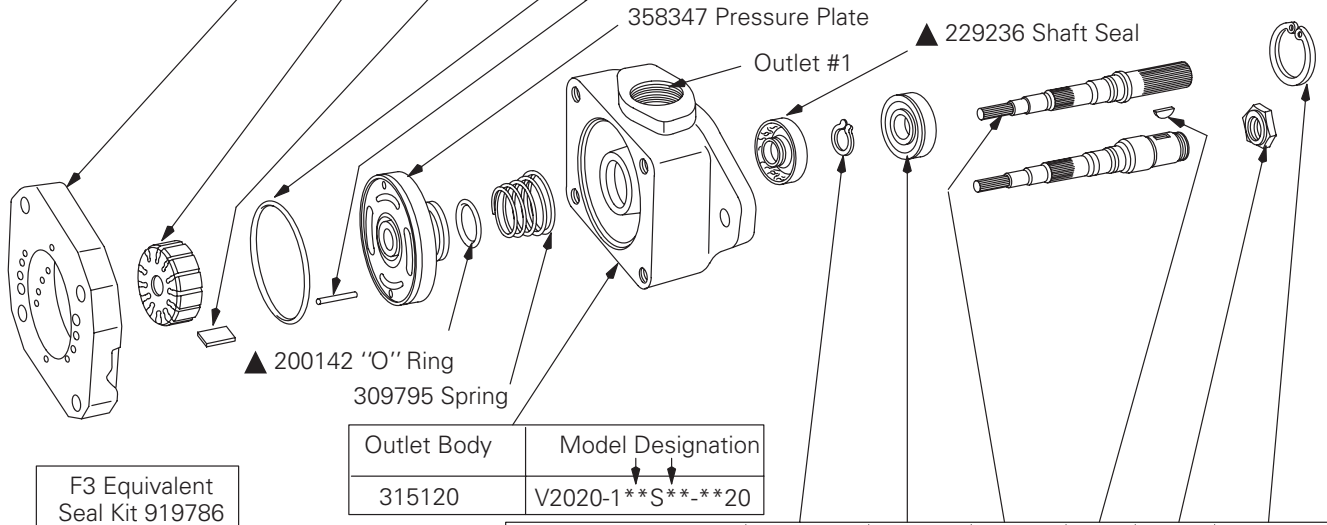
Flow Rate/Cover	Cover
V2020F-****P**2*20	369927
V2020F-****S**2*20	363307
V2020F-****T**2*20	363293

Ring Combinations		Screw (4 req'd) Torque to 75-85 lb. ft.
Shaft End	Cover End	
7, 8 or 9	6	142713
7, 8 or 9	7, 8 or 9	134249
11	6	134249
11	7, 8 or 9	36048
11	11	73074
12 or 13	6	36048
12 or 13	7, 8 or 9	73074
12 or 13	11	73074

Model Designation	Pressure Setting (PSI)	Control Valve S/A
V2020F-*****_***A20	250	229613
V2020F-*****_***B20	500	233018
V2020F-*****_***C20	750	232794
V2020F-*****_***D20	1000	232795
V2020F-*****_***E20	1250	232796
V2020F-*****_***F20	1500	232797
V2020F-*****_***G20	1750	232798
V2020F-*****_***H20	2000	232799
V2020F-*****_***J20	2250	233019
V2020F-*****_***K20	2500	233020



Model Designation	Ring	Rotor	Vane Kit (12 Vanes)	"O" Ring (2 req'd)	Cartridge Kit	Pin (2 req'd)	
Serviced in Cartridge Kit							
V2020-****7*-**20	328152	358335	923493	▲ 154090	923494	16662	
V2020-****8*-**20	331791				923495		
V2020-****9*-**20	331789				923462		
V2020-****11*-**20	328156	358336	923478		923475		179341
V2020-****12*-**20	331806	358337	923479		923476		7688
V2020-****13*-**20	331807			923477			



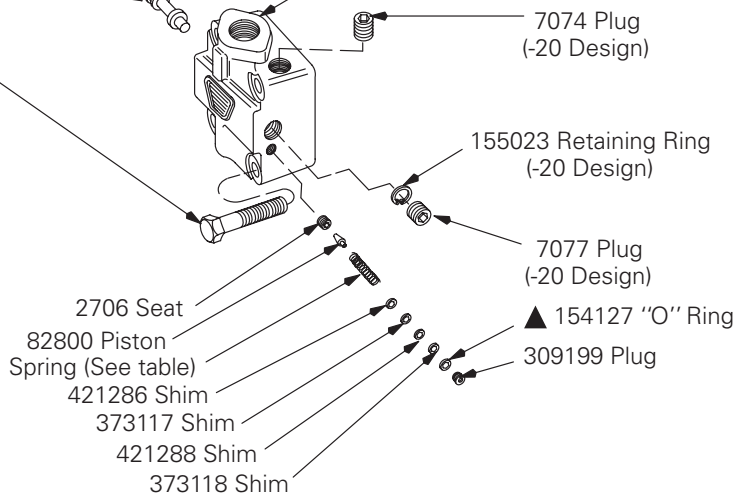
▲ Included in 923174 Seal Kit

Design	Piston	Spring	Plug
-20	257063	256961	7077

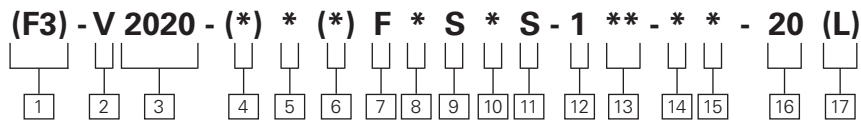
Flow Rate/Cover	-20 Cover
V2020P-*****T-***2*-2*	362601

Ring Combinations		Screw (4 req'd) Torque to 75-85 lb. ft.
Shaft End	Cover End	
7, 8 or 9	6	142713
7, 8 or 9	7, 8 or 9	134249
11	6	134249
11	7, 8 or 9	36048
11	11	73074
12 or 13	6	36048
12 or 13	7, 8 or 9	73074
12 or 13	11	73074

Model Designation	Pressure Setting (PSI)	Spring -20
V2020P-*****-***A	250	252886
V2020P-*****-***B	500	2280
V2020P-*****-***C	750	
V2020P-*****-***D	1000	2282
V2020P-*****-***E	1250	
V2020P-*****-***F	1500	2281
V2020P-*****-***G	1750	
V2020P-*****-***H	2000	
V2020P-*****-***J	2250	
V2020P-*****-***K	2500	



Model Code



1 Viton Seals

(Omit if not required.)

7 Inlet Port

F - 4-bolt flange

12 Shaft Type

Straight thread

2 Vane Pump

8 Ring Capacity - Shaft End

(USgpm at 1200 rpm and 100 psi)

7 - 7 USgpm

8 - 8 USgpm

9 - 9 USgpm

11 - 11 USgpm

12 - 12 USgpm

13 - 13 USgpm

13 Outlet Positions

(Facing cover end of pump)

Outlet #1	Outlet #2	Position
A	A	Opposite inlet
B	B	90° CCW from inlet
C	C	Inline with inlet
D	D	90° CW from inlet

3 Series

4 Cover Type

F – Flow control cover
P – Priority valve cover
Omit for standard cover.

9 No. 1 Outlet Port (Shaft End)

S - 1.062-12 UN-2B thread

Any combination of outlet positions may be used. See model code unit (i.e. V2020P***AD-20).

A - Opposite inlet (Outlet #1)

D - 90 CCW from inlet (Outlet #2)

5 Mounting

F – Flange
P – Foot bracket

10 Ring Capacity - Cover End

(USgpm at 1200 rpm and 100 psi)

6 - 6 USgpm

7 - 7 USgpm

8 - 8 USgpm

9 - 9 USgpm

11 - 11 USgpm

14 Flow Rate

(Thru orifice in cover USgpm)

6 Foot Bracket

Mounting position with respect to inlet port when viewed from shaft end. No code required for inlet port at 12 o'clock.

P – Inlet port at 3 o'clock

6 - Inlet port at 6 o'clock

9 - Inlet port at 9 o'clock

Omitted for flange mounting.

11 No. 2 Outlet Port Connections

(See table below.)

15 Pressure Setting

C - 750

D - 1000

E - 1250

F - 1500

G - 1750

H - 2000

J - 2250

K - 2500

Outlet No. 2 Port Connections (Cover End)

Code	Std. Cover	Flow Control Cover		Priority Valve Cover		
		Pressure	Tank	Primary Outlet	Secondary Outlet	Tank
P	-	.750-16 St. thd.	.500 NPT thd.	-	-	-
S	1.062-12 St. thd.	.750-16 St. thd.	1.062-12 St. thd.	-	-	-
T	-	.750-16 St. thd.	.750-16 St. thd.	.750-16 St. thd.	.875-14 St. thd.	.750-16 St. thd.

16 Design

17 Rotation

(Viewed from shaft end)

L - Left hand (CCW rotation)

Omitted for right hand rotation.

For satisfactory service life of these components, use full flow filtration to provide fluid which meets ISO cleanliness code 16/13 or cleaner. Selections from pressure, return, and in-line filter series are recommended.

Eaton
Hydraulics Group USA
14615 Lone Oak Road
Eden Prairie, MN 55344
USA
Tel: 952-937-9800
Fax: 952-294-7722
www.eaton.com/hydraulics

Eaton
Hydraulics Group Europe
Route de la Longeraie 7
1110 Morges
Switzerland
Tel: +41 (0) 21 811 4600
Fax: +41 (0) 21 811 4601

Eaton
Hydraulics Group Asia Pacific
Eaton Building
4th Floor, No. 3 Lane
280 Linhong Rd. Changning District
Shanghai 200335
China
Tel: (+86 21) 5200 0099
Fax: (+86 21) 5200 0400