

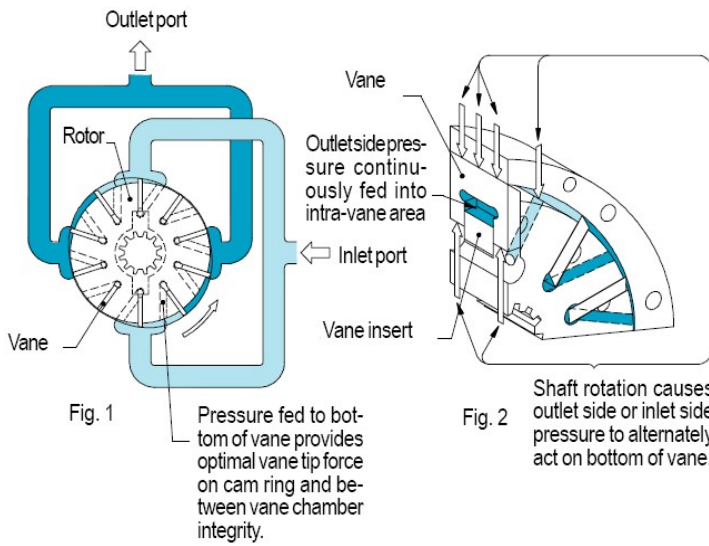


Eaton Vickers VQ Hydraulic Vane Pump

V and VQ series of single and double vane pump

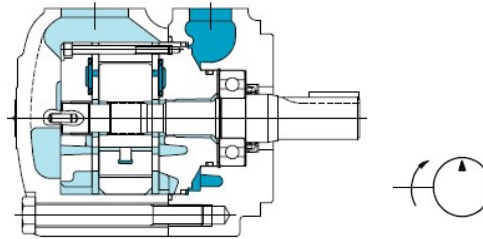
www.hydpump.com

Intra-vane Mechanism



Features

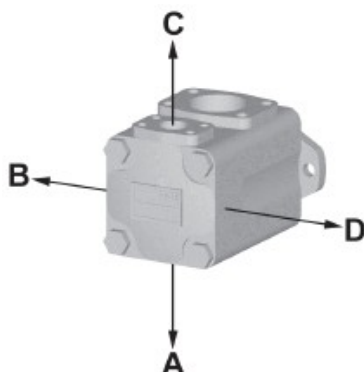
- Eaton Vickers V and VQ series are fixed displacement and balanced type hydraulic vane pumps. Available in both 12 vanes design for industrial application with quiet operating and 10 vanes design for mobile application with higher pressure and wider range of speed. They are widely used in hydraulic systems for machine-tools, presses, die casting machine, engineering, plastic injection molding and other machineries.
- Its interchangeable with original Vickers hydraulic pump of the same model.
- The inlet or outlet ports can be rotated through increments of 90° in relation to each other, providing application flexibility and easy installation.
- With the cartridge independent of the shaft, allowing for easy change of flow capacity and field servicing without removing the pump from its mounting.
- For the vane pump cartridge kit of VQ Series, the flexible plates are inserted between the support plates and the rotor. The flexible plates are assembled with the bronze facing towards the rotor to improve cold start capability and compensate thermal expansion in the rotor. This makes VQ Series particularly suited for mobile application.



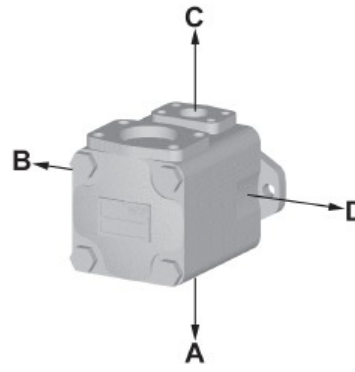
Single vane pump ordering code:

25	VQ	21	A	- 1	A	22	L	V
Model: 20,25, 35, 45	Series: V=industrial VQ=mobile	Displacement code	Port connections: A=SAE 4-bolt flange	Shaft type: 1=straight keyed 86=heavy duty keyed 11, 151=splined	Outlet port position: A=opposite inlet port B= -90° CCW from inlet C=inline with inlet D= -90° CW from inlet	Design number	Rotation: Viewed from shaft end R=clockwise (blank) L=anti-clockwise	Seal: Blank=buna V=viton

Port Positions for 20V/VQ:



Port Positions for 25V/VQ, 35 V/VQ, 45 V/VQ:



For more information and technical data, please contact us.



Vickers and Caterpillar Hydraulic Vane Pump Interchangeable OEM Part Number Listing

www.hydopump.com

Caterpillar vane pump and cartridge kits below

CAT Cartridge	GPM	Bushing	CAT Vane Pump	Equipment	Series	From	To
6E2387	50	Y	6E2064	966F	3XJ	001-UP	
6E2387	50	Y	6E2064	966F	4YG	001-UP	
6E2396	35	Y	6E2063	950F	6YG	001-UP	
6E2396	35	Y	6E2063	950F	7ZF	001-UP	
6E4258	25	N	4T0509	966C	18B	200-UP	
6E4258	25	N	4T0509	966C	9KC	001-UP	
3G1266	30	Y	3A1692	955H	60A	001-UP	
3G1266	30	Y	3A1692	955H	72A	001-UP	
3G1266	30	Y	7J2194	951	63K	001-UP	
3G1266	30	Y	7J2194	D5	12R	1	171
3G1266	30	Y	7J2194	D5	62J	1	571
3G1266	30	Y	7J2194	D5	63J	1	805
3G1266	30	Y	7J2194	D5	6R	1	953
3G1266	30	Y	7J2194	D5	81H	001-UP	
3G1266	30	Y	7J2194	D5	82H	001-UP	
3G1266	30	Y	7J2194	D5	84H	001-UP	
3G1266	30	Y	7J2194	D5	93J	1	705
3G1266	30	Y	7J2194	D5	94J	1	1795
3G1266	30	Y	7J2194	D5	95J	1	319
3G1266	30	Y	7J2194	D5	96J	1	3159
3G1266	30	Y	7J2194	D7	83H	001-UP	
3G1266	30	Y	9J5046	594	62H	001-UP	
3G1266	30	Y	9J5046	594H	96V	001-UP	
3G1267	25	Y	7J0603	768B	79S	1	66
3G1267	25	Y	7J0603	769	99F	1	1030
3G1267	25	Y	7J0603	769B	99F	1031	3350
3G1267	25	Y	9J5066	815	15R	1	340
3G1267	25	Y	9J5066	815	91P	1	655
3G1267	25	Y	9J5067	815	15R	341-UP	
3G1267	25	Y	9J5067	815	91P	656-UP	
3G1267	25	Y	9J5067	816	57U	001-UP	
3G1267	25	Y	9J5068	814	14R	001-UP	
3G1267	25	Y	9J5068	814	90P	001-UP	
3G1267	25	Y	4T0508	930T	17B	1000-UP	
3G1267	25	Y	4T0508	930T	57B	4000-UP	
3G2195	17	Y	6E2931	916	2XB	001-UP	
3G2195	17	Y	6E2931	916	5DG	001-UP	
3G2195	17	Y	6E2931	916	9WB	001-UP	
3G2195	17	Y	7J0583	941	70H	1	2941
3G2195	17	Y	7J0583	941B	80H	1	3883
3G2195	17	Y	7J0583	951B	69H	1869	2519
3G2195	17	Y	7J0583	951C	86J	1992	2597
3G2196	19	Y	7J0584	951B	69H	1	1868
3G2196	19	Y	7J0584	951B	79H	001-UP	
3G2196	19	Y	7J0584	951B	86J	1	1991
3G2196	19	Y	9J5080	941	70H	2942-UP	
3G2196	19	Y	9J5080	941C	80H	3884-UP	
3G2196	19	Y	9J5080	951B	69H	2520-UP	
3G2196	19	Y	9J5080	951C	86J	2598-UP	
3G2200	14	Y	9J5083	D4D	22J	001-UP	
3G2200	14	Y	9J5083	D4D	44H	770-UP	
3G2200	14	Y	9J5083	D4D	59J	1281-UP	
3G2200	14	Y	9J5083	D4D	60J	3270-UP	
3G2200	14	Y	9J5083	D4D	82J	3444-UP	
3G2200	14	Y	9J5083	D4D	83J	2177-UP	
3G2200	14	Y	9J5083	D4D	84J	1525-UP	
3G2200	14	Y	9J5083	D4E	27X	001-UP	

3G2200	14	Y	9J5083	D4E	29X	001-UP	
3G2200	14	Y	9J5083	D4E	68X	001-UP	
3G2200	14	Y	9J5083	D4E	69X	001-UP	
3G2200	14	Y	9J5083	D4E	70X	001-UP	
3G2234	60	Y	3J9602	630B	14G	001-UP	
3G2234	60	Y	3J9602	631	13G	1	3488
3G2234	60	Y	9J5044	641B	65K	001-UP	
3G2234	60	Y	9J5044	650B	58K	001-UP	
3G2234	60	Y	9J5044	651B	67K	001-UP	
3G2234	60	Y	9J5044	651E	89Z	001-UP	
3G2234	60	Y	9J5044	657B	68K	001-UP	
3G2234	60	Y	9J5044	657E	90Z	001-UP	
3G2234	60	Y	9J5044	660B	58K	001-UP	
3G2234	60	Y	9J5044	666B	66K	001-UP	
3G2234	60	Y	9J5054	641B	65K	001-UP	
3G2234	60	Y	9J5054	651B	67K	001-UP	
3G2234	60	Y	9J5054	657B	68K	001-UP	
3G2234	60	Y	9J5062	633C	66M	001-UP	
3G2234	60	Y	9J5132	623	52U	001-UP	
3G2234	60	Y	9J8186	641	41M	001-UP	
3G2234	60	Y	9J8186	641	64F	001-UP	
3G2234	60	Y	9J8186	651	33G	001-UP	
3G2234	60	Y	9J8186	651	44M	001-UP	
3G2234	60	Y	9J8186	657	31G	001-UP	
3G2234	60	Y	9J8186	657	46M	001-UP	
3G2234	60	Y	1U3969	651E	89Z	001-UP	
3G2234	60	Y	1U3969	657E	90Z	001-UP	
3G2236	42	Y	7J0611	768B	79S	1	66
3G2236	42	Y	7J0611	769	99F	1	1030
3G2236	42	Y	7J0611	769B	99F	1031-UP	
3G2236	42	Y	7J0860	633	44J	001-UP	
3G2236	42	Y	9J5065	980B	89P	001-UP	
3G2236	42	Y	9J5131	621J	43H	001-UP	
3G2236	42	Y	9J8204	631C	67M	001-UP	
3G2236	42	Y	9J8204	633C	66M	693-UP	
3G2236	42	Y	9J8204	633D	25W	1	702
3G2236	42	Y	9J8204	637	65M	001-UP	
3G2236	42	Y	9J8204	637	79P	001-UP	
3G2238	42	Y	3G1240	627B	14S	662-UP	
3G2238	42	Y	3G1240	627B	15S	900-UP	
3G2238	42	Y	3G1240	627E	6EB	001-UP	
3G2238	42	Y	3G1240	627E	6GB	001-UP	
3G2238	42	Y	3G4602	824C	85X	001-UP	
3G2238	42	Y	3G4602	826C	87X	001-UP	
3G2238	42	Y	9J5135	627B	14S	001-UP	
3G2238	42	Y	9J5135	627B	15S	001-UP	
3G2238	42	Y	9J5135	627E	6EB	001-UP	
3G2238	42	Y	9J5135	627E	6GB	001-UP	
3G2238	42	Y	9J8193	980	42H	001-UP	
3G2238	42	Y	9J8202	825B	43N	001-UP	
3G2238	42	Y	9J8202	826B	58U	001-UP	
3G2238	42	Y	9J8202	834	43E	001-UP	
3G2238	42	Y	9J8202	835	44N	001-UP	
3G2238	42	Y	3K9539	988	87A	1	744
3G2238	42	Y	3K9539	988	87A	745	2384
3G2238	42	Y	3K9539	988	87A	2385	6437
3G2238	42	Y	9T6123	621E	6AB	1212-UP	
3G2238	42	Y	9T6123	623E	6YF	1	226
3G2238	42	Y	9T6123	627E	7CG	001-UP	
3G2717	12	Y	9J5045	650	637	001-UP	
3G2717	12	Y	9J5045	650	77F	001-UP	
3G2717	12	Y	9J5045	660	77F	001-UP	
3G2717	12	Y	9J5045	660	90F	001-UP	

3G2717	12	Y	9J5045	666	64H	001-UP	
3G2717	12	Y	9J5045	666	77F	001-UP	
3G2718	19	Y	9J5053	920	41J	001-UP	
3G2718	19	Y	9J5053	920	62K	001-UP	
3G2718	19	Y	9T1763	518	8ZC	001-UP	
3G2720	11	N	3G4094	966	33A	1	1453
3G2720	11	N	9J5054	641B	65K	001-UP	
3G2720	11	N	9J5054	651B	67K	001-UP	
3G2720	11	N	9J5054	657B	68K	001-UP	
3G2720	11	N	9J8186	641	41M	001-UP	
3G2720	11	N	9J8186	641	64F	001-UP	
3G2720	11	N	9J8186	651	33G	001-UP	
3G2720	11	N	9J8186	651	44M	001-UP	
3G2720	11	N	9J8186	657	31G	001-UP	
3G2720	11	N	9J8186	657	46M	001-UP	
3G2720	11	N	9J8188	619C	61F	001-UP	
3G2720	11	N	9J8188	619C	62F	001-UP	
3G2720	11	N	9J8188	631	51F	001-UP	
3G2720	11	N	9J8188	824	29G	001-UP	
3G2720	11	N	9J8188	824B	36H	1	1138
3G2720	11	N	9J8194	944	43A	3012	5042
3G2720	11	N	9J8194	944	70A	479	1580
3G2720	11	N	9J8201	D7E	47A	001-UP	
3G2720	11	N	9J8201	D7E	48A	001-UP	
3G2720	11	N	9J8201	D7E	79A	001-UP	
3G2720	11	N	9J8201	D7E	95A	001-UP	
3G2720	11	N	9J8203	944	43A	5043-UP	
3G2720	11	N	9J8203	944	70A	1581-UP	
3G2720	11	N	9J8203	944	77J	001-UP	
3G2720	11	N	9J8203	944	87J	001-UP	
3G2720	11	N	9J8204	631C	67M	001-UP	
3G2720	11	N	9J8204	633C	66M	693-UP	
3G2720	11	N	9J8204	633D	25W	1	702
3G2720	11	N	9J8204	637	65M	001-UP	
3G2720	11	N	9J8204	637	79P	001-UP	
3G2720	11	N	1U3969	651E	89Z	001-UP	
3G2720	11	N	1U3969	657E	90Z	001-UP	
3G2722	5	N	9J5045	650	637	001-UP	
3G2722	5	N	9J5045	650	77F	001-UP	
3G2722	5	N	9J5045	660	77F	001-UP	
3G2722	5	N	9J5045	660	90F	001-UP	
3G2722	5	N	9J5045	666	64H	001-UP	
3G2722	5	N	9J5045	666	77F	001-UP	
3G2749	8	N	3G4092	944	43A	1	1108
3G2749	8	N	3G4092	944	58A	1	306
3G2749	8	N	3G4095	922	59A	1	3075
3G2749	8	N	3G4095	922	63A	1	473
3G2749	8	N	3G4097	944	43A	1109	3011
3G2749	8	N	3G4097	944	58A	307-UP	
3G2749	8	N	3G4097	944	70A	1	478
3G2749	8	N	9J8182	922	59A	3076-UP	
3G2749	8	N	9J8182	922	63A	474-UP	
3G2749	8	N	9J8182	922	94A	001-UP	
3G2749	8	N	9J8182	922A	88J	001-UP	
3G2749	8	N	9J8182	922A	97A	001-UP	
3G2749	8	N	9J8182	922B	88J	001-UP	
3G2749	8	N	9J8182	922B	97A	001-UP	
3G2751	11	N	9J8187	988	87A	2385	4867
3G2752	21	N	6E2932	936	33Z	2643-UP	
3G2752	21	N	6E2932	936	3HD	128-UP	
3G2752	21	N	6E2932	936	45Z	3172-UP	
3G2752	21	N	7J0594	992B	25K	1	763
3G2752	21	N	7J0611	768B	79S	1	66

3G2752	21	N	7J0611	769	99F	1	1030
3G2752	21	N	7J0611	769B	99F	1031-UP	
3G2752	21	N	9J5070	950	31K	943-UP	
3G2752	21	N	9J5070	950	43J	2527	6877
3G2752	21	N	9J5070	950	49U	001-UP	
3G2752	21	N	9J5070	950	73J	6878-UP	
3G2752	21	N	9J5070	950	81J	3502-UP	
3G2752	21	N	9J5077	992B	25K	961	1169
3G2752	21	N	9J5133	623	52U	001-UP	
3G2752	21	N	9J8180	633	44J	001-UP	
3G2752	21	N	9J8184	950	15J	001-UP	
3G2752	21	N	9J8184	950	31K	1	942
3G2752	21	N	9J8184	950	43J	1	2526
3G2752	21	N	9J8184	950	58H	001-UP	
3G2752	21	N	9J8184	950	73J	1	6877
3G2752	21	N	9J8184	950	81J	1	3501
3G2752	21	N	9J8184	950	90A	001-UP	
3G2752	21	N	4T1080	615	46Z	001-UP	
3G2752	21	N	9T7916	615	46Z	001-UP	
3G2752	21	N	9T7916	615C	5TF	001-UP	
3G2806	24	Y	7J0587	D4C	39A	001-UP	
3G2806	24	Y	7J0587	D4C	40A	001-UP	
3G2806	24	Y	7J0587	D4D	18J	001-UP	
3G2806	24	Y	7J0587	D4D	60J	1	3061
3G2806	24	Y	7J0587	D4D	61J	1	478
3G2806	24	Y	7J0587	D4D	78A	001-UP	
3G2806	24	Y	7J0587	D4D	82J	1	3259
3G2806	24	Y	7J0587	D4D	86A	001-UP	
3G2806	24	Y	7J0587	D4D	88A	001-UP	
3G2806	24	Y	9J5082	D4D	59J	1281-UP	
3G2806	24	Y	9J5082	D4D	60J	3270-UP	
3G2806	24	Y	9J5082	D4D	61J	518-UP	
3G2806	24	Y	9J5082	D4D	7R	508-UP	
3G2806	24	Y	9J5082	D4D	82J	2444-UP	
3G2806	24	Y	9J5082	D4D	83J	2177-UP	
3G2806	24	Y	9J5082	D4E	27X	001-UP	
3G2806	24	Y	9J5082	D4E	28X	001-UP	
3G2806	24	Y	9J5082	D4E	2DJ	001-UP	
3G2806	24	Y	9J5082	D4E	50X	001-UP	
3G2806	24	Y	9J5082	D4E	51X	001-UP	
3G2806	24	Y	9J5082	D4E	52X	001-UP	
3G2806	24	Y	9J5082	D4E	68X	001-UP	
3G2806	24	Y	9J5082	D4E	69X	001-UP	
3G2806	24	Y	9J5082	D4E	70X	001-UP	
3G2806	24	Y	9J5082	D4E	71X	001-UP	
3G2806	24	Y	9J5082	D4E	72X	001-UP	
3G2806	24	Y	9J5082	D4E	76W	001-UP	
3G2807	24	Y	4K4869	933F	42A	001-UP	
3G2834	25	N	3G1238	623B	46P	001-UP	
3G2834	25	N	3G1238	623E	6CB	001-UP	
3G2834	25	N	3G1239	621B	35V	001-UP	
3G2834	25	N	3G1239	621B	45P	001-UP	
3G2834	25	N	3G1239	621E	6AB	001-UP	
3G2834	25	N	3G1239	627B	14S	1080-UP	
3G2834	25	N	3G1239	627B	15S	1551-UP	
3G2834	25	N	3G1240	627B	14S	662-UP	
3G2834	25	N	3G1240	627B	15S	900-UP	
3G2834	25	N	3G1240	627E	6EB	001-UP	
3G2834	25	N	3G1240	627E	6GB	001-UP	
3G2834	25	N	9J5049	966C	25U	001-UP	
3G2834	25	N	9J5049	966C	30K	001-UP	
3G2834	25	N	9J5049	966C	42J	001-UP	
3G2834	25	N	9J5049	966C	76J	001-UP	

3G2834	25	N	9J8183	966B	75A	001-UP	
3G2835	30	N	3G4602	824C	85X	001-UP	
3G2835	30	N	3G4602	826C	87X	001-UP	
3G2835	30	N	9J5059	772	11S	001-UP	
3G2835	30	N	9J5059	772	80S	001-UP	
3G2835	30	N	9J5059	773	63G	001-UP	
3G2837	35	N	6E3364	623E	6YF	227-UP	
3G2837	35	N	9J5135	627B	14S	001-UP	
3G2837	35	N	9J5135	627B	15S	001-UP	
3G2837	35	N	9J5135	627E	6EB	001-UP	
3G2837	35	N	9J5135	627E	6GB	001-UP	
3G7651	35	Y	3G7638	623B	46P	1	1221
3G7651	35	Y	3G7638	623E	6CB	1	687
3G7651	35	Y	9T5793	623E	6CB	688-UP	
3G7652	19	N	3G7638	623B	46P	1	1221
3G7652	19	N	3G7638	623E	6CB	1	687
3G7652	19	N	9T5793	623E	6CB	688-UP	
3G7653	14	Y	3G7634	518	50S	001-UP	
3G7653	14	Y	3G7635	528	51S	001-UP	
3G7653	14	Y	3G7635	528	78W	001-UP	
3G7653	14	Y	3G7635	528	96C	001-UP	
3G7653	14	Y	3G7635	528	97C	001-UP	
3G7653	14	Y	9J5061	613	71M	001-UP	
3G7653	14	Y	9J5061	613B	38W	001-UP	
3G7653	14	Y	9J5061	613C	92X	001-UP	
3G7653	14	Y	9T1078	613C	92X	001-UP	
3G7654	17	Y	3G7636	518	55U	001-UP	
3G7654	17	Y	3G7636	518	95U	001-UP	
3G7655	21	Y	3G7640	613	38W	0001-up	
3G7655	21	Y	3G7640	613	71M	1638-UP	
3G7655	21	Y	9J5058	D7F	93N	001-UP	
3G7655	21	Y	9J5058	D7F	94N	001-UP	
3G7655	21	Y	9J5058	D7G	72W	001-UP	
3G7655	21	Y	9J5058	D7G	91V	001-UP	
3G7655	21	Y	9J5058	D7G	92V	001-UP	
3G7655	21	Y	9J5134	621	23H	001-UP	
3G7655	21	Y	9J5134	621J	43H	001-UP	
3G7655	21	Y	9J8178	621J	43H	001-UP	
3G7655	21	Y	9J8179	D6C	10K	001-UP	
3G7655	21	Y	9J8179	D6C	74A	001-UP	
3G7655	21	Y	9J8179	D6C	76A	001-UP	
3G7655	21	Y	9J8179	D6C	82A	001-UP	
3G7655	21	Y	9J8179	D6C	83A	001-UP	
3G7655	21	Y	9J8179	D6C	99J	001-UP	
3G7655	21	Y	1U3473	D7G	35N	001-UP	
3G7656	50	Y	3G1239	621B	35V	001-UP	
3G7656	50	Y	3G1239	621B	45P	001-UP	
3G7656	50	Y	3G1239	621E	6AB	001-UP	
3G7656	50	Y	3G1239	627B	14S	1080-UP	
3G7656	50	Y	3G1239	627B	15S	1551-UP	
3G7656	50	Y	3G7637	977K	11K	4150	5050
3G7656	50	Y	3G7637	977K	48J	779	1058
3G7656	50	Y	3G7657	977L	11K	5051-UP	
3G7656	50	Y	3G7657	977L	14X	001-UP	
3G7656	50	Y	3G7657	977L	48J	1059-UP	
3G7656	50	Y	3G7657	977L	64X	001-UP	
3G7656	50	Y	3J6536	824	29G	001-UP	
3G7656	50	Y	3J6536	824B	36H	1	684
3G7656	50	Y	3J6536	834	43E	1	466
3G7656	50	Y	7J4349	980	42H	1425-UP	
3G7656	50	Y	8J2504	977K	11K	1	5050
3G7656	50	Y	8J2504	977K	48J	1	1058
3G7656	50	Y	8J2504	977L	11K	5051-UP	

3G7656	50	Y	8J2504	977L	48J	1059-UP	
3G7656	50	Y	9J5064	980B	89P	001-UP	
3G7656	50	Y	9J5075	621B	35V	001-UP	
3G7656	50	Y	9J5075	621B	45P	001-UP	
3G7656	50	Y	9J5075	621E	6AB	1	1211
3G7656	50	Y	9J8183	966B	75A	001-UP	
3G7656	50	Y	9J8187	988	87A	2385	4867
3G7656	50	Y	9J8197	977K	11K	1	4149
3G7656	50	Y	9J8197	977K	46H	001-UP	
3G7656	50	Y	9J8197	977K	48J	1	778
3G7656	50	Y	9J8199	988	87A	1	2384
3G7657	57	Y	3G1238	623B	46P	001-UP	
3G7657	57	Y	3G1238	623E	6CB	001-UP	
3G7657	57	Y	3G6826	633D	25W	703-UP	
3G7657	57	Y	3G6826	639D	99X	001-UP	
3G7657	57	Y	3G7633	633D	25W	1	702
3G7657	57	Y	3G7639	623B	46P	1220-UP	
3G7657	57	Y	3G7639	623E	6CB	001-UP	
3G7657	57	Y	9J5049	966C	25U	001-UP	
3G7657	57	Y	9J5049	966C	30K	001-UP	
3G7657	57	Y	9J5049	966C	42J	001-UP	
3G7657	57	Y	9J5049	966C	76J	001-UP	
3G7657	57	Y	9J8192	980	42H	1	1424
3G7658	14	N	3G7635	528	51S	001-UP	
3G7658	14	N	3G7635	528	78W	001-UP	
3G7658	14	N	3G7635	528	96C	001-UP	
3G7658	14	N	3G7635	528	97C	001-UP	
3G7658	14	N	9J5050	D8H	22A	1146-UP	
3G7658	14	N	9J5050	D8H	36A	4469-UP	
3G7658	14	N	9J5050	D8H	46A	10725-UP	
3G7658	14	N	9J5050	D8H	68A	1003-UP	
3G7658	14	N	9J5050	D8K	66V	001-UP	
3G7658	14	N	9J5050	D8K	76V	001-UP	
3G7658	14	N	9J5050	D8K	77V	001-UP	
3G7658	14	N	9J5053	920	41J	001-UP	
3G7658	14	N	9J5053	920	62K	001-UP	
3G7658	14	N	9J5055	930	41K	001-UP	
3G7658	14	N	9J5055	930	79J	001-UP	
3G7658	11	N	9J5058	D7F	93N	001-UP	
3G7658	11	N	9J5058	D7F	94N	001-UP	
3G7658	11	N	9J5058	D7G	72W	001-UP	
3G7658	11	N	9J5058	D7G	91V	001-UP	
3G7658	11	N	9J5058	D7G	92V	001-UP	
3G7658	14	N	9J5061	613	71M	001-UP	
3G7658	14	N	9J5061	613B	38W	001-UP	
3G7658	14	N	9J5061	613C	92X	001-UP	
3G7658	14	N	9J5134	621	23H	001-UP	
3G7658	14	N	9J5134	621J	43H	001-UP	
3G7658	14	N	4K3331	966	33A	1454-UP	
3G7658	14	N	9T1078	613C	92X	001-UP	
3G7658	14	N	9T1763	518	8ZC	001-UP	
3G7659	12	N	3G7640	613	38W	0001-up	
3G7659	12	N	3G7640	613	71M	1638-UP	
3G7660	50	Y	3G6846	641B	65K	1164-UP	
3G7660	50	Y	3G6846	651B	67K	935-UP	
3G7660	50	Y	3G6846	651E	89Z	001-UP	
3G7660	50	Y	3G6846	657B	68K	1232-UP	
3G7660	50	Y	3G7641	983	38K	001-UP	
3G7660	50	Y	3G7641	983B	58X	001-UP	
3G7660	50	Y	7J0590	D9G	66A	3266	8054
3G7660	50	Y	7J0590	D9G	90J	1	85
3G7660	50	Y	7J0590	D9G	91J	1	85
3G7660	50	Y	7J0594	992B	25K	1	763

3G7660	50	Y	8J6810	992B	25K	764	960
3G7660	50	Y	9J5052	631B	13G	3489-UP	
3G7660	50	Y	9J5052	631C	67M	001-UP	
3G7660	50	Y	9J5052	637	65M	001-UP	
3G7660	50	Y	9J5052	637	79P	001-UP	
3G7660	50	Y	9J5077	992B	25K	961	1169
3G7660	50	Y	9J5079	992B	25K	961	1169
3G7660	50	Y	9J5136	621	23H	001-UP	
3G7660	50	Y	9J5136	627	54K	001-UP	
3G7660	50	Y	9J5136	627	68M	001-UP	
3G7661	47	Y	3G5810	D9H	90V	001-UP	
3G7661	47	Y	4K3331	966	33A	1454-UP	
3G7661	47	Y	4T1080	615	46Z	001-UP	
3G7661	47	Y	9T7916	615	46Z	001-UP	
3G7661	47	Y	9T7916	615C	5TF	001-UP	
3G7662	21	N	3G4601	825C	86X	001-UP	
3G7662	21	N	3G7400	633D	25W	703-UP	
3G7662	21	N	3G7400	639D	99X	001-UP	
3G7662	21	N	3G7633	633D	25W	1	702
3G7662	21	N	3G8461	633D	25W	703-UP	
3G7662	21	N	3G8461	639D	99X	001-UP	
3G7662	21	N	7J4349	980	42H	1425-UP	
3G7662	21	N	9J5057	633C	66M	001-UP	
3G7662	21	N	9J5064	980B	89P	001-UP	
3G7662	21	N	9J5068	814	14R	001-UP	
3G7662	21	N	9J5068	814	90P	001-UP	
3G7663	17	N	3G5810	D9H	90V	001-UP	
3G7663	17	N	7J0590	D9G	66A	3266	8054
3G7663	17	N	7J0590	D9G	90J	1	85
3G7663	17	N	7J0590	D9G	91J	1	85
3G7663	17	N	7J0860	633	44J	001-UP	
3G7663	17	N	9J5052	631B	13G	3489-UP	
3G7663	17	N	9J5052	631C	67M	001-UP	
3G7663	17	N	9J5052	637	65M	001-UP	
3G7663	17	N	9J5052	637	79P	001-UP	
3G7663	17	N	9J5062	633C	66M	001-UP	
3G7663	17	N	1U2824	613C	92X	001-UP	
3G7664	38	N	3G7639	623B	46P	1220-UP	
3G7664	38	N	3G7639	623E	6CB	001-UP	
3G7664	38	N	9J5075	621B	35V	001-UP	
3G7664	38	N	9J5075	621B	45P	001-UP	
3G7664	38	N	9J5075	621E	6AB	1	1211
3G7664	38	N	9J5078	992B	25K	961	1169
3G7664	38	N	9J8181	992B	25K	1	960
3G7664	38	N	9T6123	621E	6AB	1212-UP	
3G7664	38	N	9T6123	623E	6YF	1	226
3G7664	38	N	9T6123	627E	7CG	001-UP	
3G7665	35	N	3G7641	983	38K	001-UP	
3G7665	35	N	3G7641	983B	58X	001-UP	
3G7665	35	N	9J5044	641B	65K	001-UP	
3G7665	35	N	9J5044	650B	58K	001-UP	
3G7665	35	N	9J5044	651B	67K	001-UP	
3G7665	35	N	9J5044	651E	89Z	001-UP	
3G7665	35	N	9J5044	657B	68K	001-UP	
3G7665	35	N	9J5044	657E	90Z	001-UP	
3G7665	35	N	9J5044	660B	58K	001-UP	
3G7665	35	N	9J5044	666B	66K	001-UP	
3G7666	38	N	3G7632	633D	25W	1	713
3G7666	38	N	9J5131	621J	43H	001-UP	
3G7666	38	N	9J5132	623	52U	001-UP	
3G7666	38	N	9J5136	621	23H	001-UP	
3G7666	38	N	9J5136	627	54K	001-UP	
3G7666	38	N	9J5136	627	68M	001-UP	

3G7666	38	N	1U0422	633D	25W	714-UP	
3G7666	38	N	1U0422	639D	99X	001-UP	
3G7667	57	Y	3G7632	633D	25W	1	713
3G7667	57	Y	4T0509	966C	18B	200-UP	
3G7667	57	Y	4T0509	966C	9KC	001-UP	
3G7667	57	Y	1U0422	633D	25W	714-UP	
3G7667	57	Y	1U0422	639D	99X	001-UP	
9J7891	14	N	9J5067	815	15R	341-UP	
9J7891	14	N	9J5067	815	91P	656-UP	
9J7891	14	N	9J5067	816	57U	001-UP	
4T0416	50	Y	4T6020	D9L	14Y	001-UP	
4T0417	21	N	4T6020	D9L	14Y	001-UP	
4T0417	21	N	9T1080	D10N	2YD	001-UP	
4T0422	50	Y	4T6847	966D	94X	1	6488
4T0422	50	Y	4T6847	966D	99Y	1	5314
4T0422	50	Y	4T6847	966E	94X	6489-UP	
4T0422	50	Y	4T6847	966E	99Y	5315-UP	
4T1893	35	Y	6E2929	963	21Z	3651-UP	
4T1893	35	Y	7J4748	613	71M	1	1637
4T1893	35	Y	9J5048	955K	48H	001-UP	
4T1893	35	Y	9J5048	955K	61H	001-UP	
4T1893	35	Y	9J5048	955K	64J	1	5182
4T1893	35	Y	9J5048	955K	85J	1	6246
4T1893	35	Y	9J5048	955L	13X	001-UP	
4T1893	35	Y	9J5048	955L	64J	5183-UP	
4T1893	35	Y	9J5048	955L	85J	6247-UP	
4T1893	35	Y	9J5048	955L	8Y	001-UP	
4T1893	35	Y	9J5048	D6C	10K	1	6789
4T1893	35	Y	9J5048	D6C	46J	1	868
4T1893	35	Y	9J5048	D6C	47J	1	2559
4T1893	35	Y	9J5048	D6C	99J	1	1645
4T1893	35	Y	9J5133	623	52U	001-UP	
4T1893	35	Y	9J7232	7271	36W	001-UP	
4T1893	35	Y	9J8188	619C	61F	001-UP	
4T1893	35	Y	9J8188	619C	62F	001-UP	
4T1893	35	Y	9J8188	631	51F	001-UP	
4T1893	35	Y	9J8188	824	29G	001-UP	
4T1893	35	Y	9J8188	824B	36H	1	1138
4T1893	35	Y	4T6947	950B	22Z	1	3188
4T1893	35	Y	4T6947	950B	31R	001-UP	
4T1893	35	Y	4T6947	950B	63R	1	6053
4T2626	21	N	6E2063	950F	6YG	001-UP	
4T2626	21	N	6E2063	950F	7ZF	001-UP	
4T2626	21	N	4T6947	950B	22Z	1	3188
4T2626	21	N	4T6947	950B	31R	001-UP	
4T2626	21	N	4T6947	950B	63R	1	6053
4T3196	12	N	6E2931	916	2XB	001-UP	
4T3196	12	N	6E2931	916	5DG	001-UP	
4T3196	12	N	6E2931	916	9WB	001-UP	
4T6869	25	Y	3G4095	922	59A	1	3075
4T6869	25	Y	3G4095	922	63A	1	473
4T6869	25	Y	3G7411	814B	16Z	001-UP	
4T6869	25	Y	3G7411	816B	15Z	001-UP	
4T6869	25	Y	3G7412	815B	17Z	001-UP	
4T6869	25	Y	9J5055	930	41K	001-UP	
4T6869	25	Y	9J5055	930	79J	001-UP	
4T6869	25	Y	9J8182	922	59A	3076-UP	
4T6869	25	Y	9J8182	922	63A	474-UP	
4T6869	25	Y	9J8182	922	94A	001-UP	
4T6869	25	Y	9J8182	922A	88J	001-UP	
4T6869	25	Y	9J8182	922A	97A	001-UP	
4T6869	25	Y	9J8182	922B	88J	001-UP	
4T6869	25	Y	9J8182	922B	97A	001-UP	

4T6869	25	Y	1U2824	613C	92X	001-UP	
9T1697	16	Y	9T1696	953	20Z	001-UP	
9T1697	16	Y	9T1696	953	5Z	001-UP	
9T1697	16	Y	9T1696	953	76Y	001-UP	
9T1697	16	Y	9T1696	953	77Y	001-UP	
9T2200	30	Y	6E2932	936	33Z	2643-UP	
9T2200	30	Y	6E2932	936	3HD	128-UP	
9T2200	30	Y	6E2932	936	45Z	3172-UP	
9T2200	30	Y	3G3895	936	33Z	1	2642
9T2200	30	Y	3G3895	936	3HD	1	127
9T2200	30	Y	3G3895	936	45Z	1	3171
9T2200	30	Y	3G3895	936	4ND	001-UP	
9T2200	30	Y	3G4092	944	43A	1	1108
9T2200	30	Y	3G4092	944	58A	1	306
9T2200	30	Y	9J5047	572E	65A	001-UP	
9T2200	30	Y	9J5047	572F	96N	001-UP	
9T2200	30	Y	9J5047	572G	40U	001-UP	
9T2200	30	Y	9J5047	583H	38A	001-UP	
9T2200	30	Y	9J5047	583H	61A	001-UP	
9T2200	30	Y	9J5047	583K	78V	001-UP	
9T2200	30	Y	9J5060	772	11S	001-UP	
9T2200	30	Y	9J5060	772	80S	001-UP	
9T2200	30	Y	9J5060	773	63G	001-UP	
9T5336	50	Y	9T1080	D10N	2YD	001-UP	
1U0532	57	Y	9T3866	973	66G	1019-UP	
1U0532	57	Y	9T3866	973	86G	286-UP	
1U2652	19	N	3G3895	936	33Z	1	2642
1U2652	19	N	3G3895	936	3HD	1	127
1U2652	19	N	3G3895	936	45Z	1	3171
1U2652	19	N	3G3895	936	4ND	001-UP	
1U2652	19	N	3G7411	814B	16Z	001-UP	
1U2652	19	N	3G7411	816B	15Z	001-UP	
1U2664	8	N	3G6826	633D	25W	703-UP	
1U2664	8	N	3G6826	639D	99X	001-UP	
1U2664	8	N	9J0698	633D	25W	1	702
1U2664	8	N	9J5063	631	13G	1	3488
1U2664	8	N	9J8199	988	87A	1	2384
1U2664	8	N	9J8202	825B	43N	001-UP	
1U2664	8	N	9J8202	826B	58U	001-UP	
1U2664	8	N	9J8202	834	43E	001-UP	
1U2664	8	N	9J8202	835	44N	001-UP	
1U2665	14	N	6E2927	926	1SD	001-UP	
1U2665	14	N	6E2927	926	4NB	1	2075
1U2665	14	N	6E2927	926	94Z	1	2208
1U2665	14	N	6E2927	926E	4NB	2076-UP	
1U2665	14	N	6E2927	926E	94Z	2209-UP	
1U2665	14	N	4T0508	930T	17B	1000-UP	
1U2665	14	N	4T0508	930T	57B	4000-UP	
1U2666	17	N	9J8277	D8L	53Y	001-UP	
1U2666	17	N	9J8277	D8L	7JC	001-UP	
1U2666	17	N	3K9539	988	87A	1	744
1U2666	17	N	3K9539	988	87A	745	2384
1U2666	17	N	3K9539	988	87A	2385	6437
1U2667	30	N	6E2064	966F	3XJ	001-UP	
1U2667	30	N	6E2064	966F	4YG	001-UP	
1U2667	30	N	4T6847	966D	94X	1	6488
1U2667	30	N	4T6847	966D	99Y	1	5314
1U2667	30	N	4T6847	966E	94X	6489-UP	
1U2667	30	N	4T6847	966E	99Y	5315-UP	
1U2668	21	Y	6E2927	926	1SD	001-UP	
1U2668	21	Y	6E2927	926	4NB	1	2075
1U2668	21	Y	6E2927	926	94Z	1	2208
1U2668	21	Y	6E2927	926E	4NB	2076-UP	

1U2668	21	Y	6E2927	926E	94Z	2209-UP	
1U2668	21	Y	7J0585	D4C	24A	001-UP	
1U2668	21	Y	7J0585	D4C	39A	001-UP	
1U2668	21	Y	7J0585	D4C	40A	001-UP	
1U2668	21	Y	7J0585	D4D	22C	001-UP	
1U2668	21	Y	7J0585	D4D	58J	001-UP	
1U2668	21	Y	7J0585	D4D	59J	1	1280
1U2668	21	Y	7J0585	D4D	60J	3062	3269
1U2668	21	Y	7J0585	D4D	61J	479	517
1U2668	21	Y	7J0585	D4D	7R	1	507
1U2668	21	Y	7J0585	D4D	82J	3260	3443
1U2668	21	Y	7J0585	D4D	83J	1	2176
1U2668	21	Y	7J0586	561C	92J	001-UP	
1U2668	21	Y	7J0586	D5	21J	001-UP	
1U2668	21	Y	7J0586	D5	62J	001-UP	
1U2668	21	Y	7J0586	D5	63J	001-UP	
1U2668	21	Y	7J0586	D5	81H	001-UP	
1U2668	21	Y	7J0586	D5	82H	001-UP	
1U2668	21	Y	7J0586	D5	84H	001-UP	
1U2668	21	Y	7J0586	D5	93J	001-UP	
1U2668	21	Y	7J0586	D5	94J	001-UP	
1U2668	21	Y	7J0586	D5	95J	001-UP	
1U2668	21	Y	7J0586	D5	96J	001-UP	
1U2668	21	Y	7J0586	D5	98J	001-UP	
1U2668	21	Y	7J0586	D7	83H	001-UP	
1U2668	21	Y	9J5056	992B	25K	001-UP	
1U2669	38	Y	3G4601	825C	86X	001-UP	
1U2669	38	Y	9J5057	633C	66M	001-UP	
1U2669	38	Y	9J8277	D8L	53Y	001-UP	
1U2669	38	Y	9J8277	D8L	7JC	001-UP	
1U2670	47	Y	3G4094	966	33A	1	1453
1U2670	47	Y	3G8461	633D	25W	703-UP	
1U2670	47	Y	3G8461	639D	99X	001-UP	
1U2670	47	Y	9J0698	633D	25W	1	702
1U2670	47	Y	9J5078	992B	25K	961	1169
1U2670	47	Y	9J8195	977H	53A	001-UP	
1U2671	60	Y	3G7400	633D	25W	703-UP	
1U2671	60	Y	3G7400	639D	99X	001-UP	
1U2671	60	Y	9J5042	631B	13G	3489-UP	
1U2671	60	Y	9J5042	633	44J	001-UP	
1U2671	60	Y	9J5042	633C	66M	1	692
1U2671	60	Y	9J5059	772	11S	001-UP	
1U2671	60	Y	9J5059	772	80S	001-UP	
1U2671	60	Y	9J5059	773	63G	001-UP	
1U2671	60	Y	9J5063	631	13G	1	3488
1U2671	60	Y	9J8181	992B	25K	1	960
1U3519	12	Y	3G1752	943	19Z	001-UP	
1U3519	12	Y	3G1752	943	31Y	001-UP	
1U3519	12	Y	3G1752	943	3Y	001-UP	
1U3519	12	Y	3G1752	943	4Z	001-UP	
1U3519	12	Y	7J0582	D4D	22C	001-UP	
1U3519	12	Y	7J0582	D4D	44H	1	769
1U3519	12	Y	7J0582	D4D	58J	001-UP	
1U3519	12	Y	7J0582	D4D	59J	1	1280
1U3519	12	Y	7J0582	D4D	60J	1	3269
1U3519	12	Y	7J0582	D4D	78A	001-UP	
1U3519	12	Y	7J0582	D4D	82J	1	3443
1U3519	12	Y	7J0582	D4D	83J	1	2176
1U3519	12	Y	7J0582	D4D	84J	1	1524
1U3519	12	Y	7J0582	D4D	86A	001-UP	
1U3519	12	Y	7J0582	D4D	88A	001-UP	
1U3952	14	N	3G7412	815B	17Z	001-UP	
1U3952	14	N	8J6810	992B	25K	764	960

1U3952	14	N	9J5079	992B	25K	961	1169
1U3952	14	N	1U2149	973	26Z	001-UP	
1U3952	14	N	1U2149	973	32Z	001-UP	
1U3952	14	N	1U2149	973	66G	1	787
1U3952	14	N	1U2149	973	86G	1	222
1U3953	38	Y	3G4097	944	43A	1109	3011
1U3953	38	Y	3G4097	944	58A	307-UP	
1U3953	38	Y	3G4097	944	70A	1	478
1U3953	38	Y	9J5050	D8H	22A	1146-UP	
1U3953	38	Y	9J5050	D8H	36A	4469-UP	
1U3953	38	Y	9J5050	D8H	46A	10725-UP	
1U3953	38	Y	9J5050	D8H	68A	1003-UP	
1U3953	38	Y	9J5050	D8K	66V	001-UP	
1U3953	38	Y	9J5050	D8K	76V	001-UP	
1U3953	38	Y	9J5050	D8K	77V	001-UP	
1U3953	38	Y	9J5051	D7E	47A	001-UP	
1U3953	38	Y	9J5051	D7E	48A	001-UP	
1U3953	38	Y	9J5051	D7E	79A	001-UP	
1U3953	38	Y	9J5051	D7E	95A	001-UP	
1U3953	38	Y	9J5070	950	31K	943-UP	
1U3953	38	Y	9J5070	950	43J	2527	6877
1U3953	38	Y	9J5070	950	49U	001-UP	
1U3953	38	Y	9J5070	950	73J	6878-UP	
1U3953	38	Y	9J5070	950	81J	3502-UP	
1U3953	38	Y	9J8180	633	44J	001-UP	
1U3953	38	Y	9J8184	950	15J	001-UP	
1U3953	38	Y	9J8184	950	31K	1	942
1U3953	38	Y	9J8184	950	43J	1	2526
1U3953	38	Y	9J8184	950	58H	001-UP	
1U3953	38	Y	9J8184	950	73J	1	6877
1U3953	38	Y	9J8184	950	81J	1	3501
1U3953	38	Y	9J8184	950	90A	001-UP	
1U3953	38	Y	9J8190	D6C	74A	001-UP	
1U3953	38	Y	9J8190	D6C	76A	001-UP	
1U3953	38	Y	9J8190	D6C	82A	001-UP	
1U3953	38	Y	9J8190	D6C	83A	001-UP	
1U3953	38	Y	9J8194	944	43A	3012	5042
1U3953	38	Y	9J8194	944	70A	479	1580
1U3953	38	Y	9J8201	D7E	47A	001-UP	
1U3953	38	Y	9J8201	D7E	48A	001-UP	
1U3953	38	Y	9J8201	D7E	79A	001-UP	
1U3953	38	Y	9J8201	D7E	95A	001-UP	
1U3953	38	Y	9J8203	944	43A	5043-UP	
1U3953	38	Y	9J8203	944	70A	1581-UP	
1U3953	38	Y	9J8203	944	77J	001-UP	
1U3953	38	Y	9J8203	944	87J	001-UP	
1U3953	38	Y	9T0486	963	11Z	680-UP	
1U3953	38	Y	9T0486	963	18Z	1337-UP	
1U3953	38	Y	9T0486	963	21Z	306	3650
1U3953	38	Y	9T0486	963	6Z	1520-UP	
1U3953	38	Y	1U2149	973	26Z	001-UP	
1U3953	38	Y	1U2149	973	32Z	001-UP	
1U3953	38	Y	1U2149	973	66G	1	787
1U3953	38	Y	1U2149	973	86G	1	222



Vickers VQ hydraulic vane pump model

www.hydpump.com

Vane pump	Displacement	A=opposite inlet port	B=- 90° CCW from inlet	C=inline with inlet	D=- 90° CW from inlet
20VQ single vane pum	5 GPM	20VQ 5A 1A 22R	20VQ 5A 1B 22R	20VQ 5A 1C 22R	20VQ 5A 1D 22R
	8 GPM	20VQ 8A 1A 22R	20VQ 8A 1B 22R	20VQ 8A 1C 22R	20VQ 8A 1D 22R
	9 GPM	20VQ 9A 1A 22R	20VQ 9A 1B 22R	20VQ 9A 1C 22R	20VQ 9A 1D 22R
	11 GPM	20VQ 11A 1A 22R	20VQ 11A 1B 22R	20VQ 11A 1C 22R	20VQ 11A 1D 22R
	12 GPM	20VQ 12A 1A 22R	20VQ 12A 1B 22R	20VQ 12A 1C 22R	20VQ 12A 1D 22R
	14 GPM	20VQ 14A 1A 22R	20VQ 14A 1B 22R	20VQ 14A 1C 22R	20VQ 14A 1D 22R
25VQ single vane pum	10 GPM	25VQ 10A 1A 22R	25VQ 10A 1B 22R	25VQ 10A 1C 22R	25VQ 10A 1D 22R
	12 GPM	25VQ 12A 1A 22R	25VQ 12A 1B 22R	25VQ 12A 1C 22R	25VQ 12A 1D 22R
	14 GPM	25VQ 14A 1A 22R	25VQ 14A 1B 22R	25VQ 14A 1C 22R	25VQ 14A 1D 22R
	17 GPM	25VQ 17A 1A 22R	25VQ 17A 1B 22R	25VQ 17A 1C 22R	25VQ 17A 1D 22R
	19 GPM	25VQ 19A 1A 22R	25VQ 19A 1B 22R	25VQ 19A 1C 22R	25VQ 19A 1D 22R
35VQ single vane pum	21 GPM	25VQ 21A 1A 22R	25VQ 21A 1B 22R	25VQ 21A 1C 22R	25VQ 21A 1D 22R
	25 GPM	35VQ 25A 1A 22R	35VQ 25A 1B 22R	35VQ 25A 1C 22R	35VQ 25A 1D 22R
	30 GPM	35VQ 30A 1A 22R	35VQ 30A 1B 22R	35VQ 30A 1C 22R	35VQ 30A 1D 22R
	35 GPM	35VQ 35A 1A 22R	35VQ 35A 1B 22R	35VQ 35A 1C 22R	35VQ 35A 1D 22R
	38 GPM	35VQ38A 1A 22R	35VQ38A 1B 22R	35VQ38A 1C 22R	35VQ38A 1D 22R
45VQ single vane pum	42 GPM	45VQ 42A 1A 22R	45VQ 42A 1B 22R	45VQ 42A 1A 22R	45VQ 42A 1D 22R
	45 GPM	45VQ 45A 1A 22R	45VQ 45A 1B 22R	45VQ 45A 1A 22R	45VQ 45A 1D 22R
	50 GPM	45VQ 50A 1A 22R	45VQ 50A 1B 22R	45VQ 50A 1A 22R	45VQ 50A 1D 22R
	57 GPM	45VQ 57A 1A 22R	45VQ 57A 1B 22R	45VQ 57A 1A 22R	45VQ 57A 1D 22R
	60 GPM	45VQ 60A 1A 22R	45VQ 60A 1B 22R	45VQ 60A 1A 22R	45VQ 60A 1D 22R
Vane pump	Displacement	A=opposite inlet port	B=- 90° CCW from inlet	C=inline with inlet	D=- 90° CW from inlet
2520VQ double vane pump	Front and rear 5, 8,9, 11,12, 14, 17, 19, 21	2520VQ 10A5 1CC 22R	2520VQ 12A5 1CC 22R	2520VQ 14A5 1CC 22R	2520VQ 17A5 1CC 22R
		2520VQ 10A8 1CC 22R	2520VQ 12A8 1CC 22R	2520VQ 14A8 1CC 22R	2520VQ 17A8 1CC 22R
		2520VQ 10A9 1CC 22R	2520VQ 12A9 1CC 22R	2520VQ 14A9 1CC 22R	2520VQ 17A9 1CC 22R
		2520VQ 10A11 1CC 22R	2520VQ 12A11 1CC 22R	2520VQ 14A11 1CC 22R	2520VQ 17A11 1CC 22R
		2520VQ 10A12 1CC 22R	2520VQ 12A12 1CC 22R	2520VQ 14A12 1CC 22R	2520VQ 17A12 1CC 22R
		2520VQ 10A14 1CC 22R	2520VQ 12A14 1CC 22R	2520VQ 14A14 1CC 22R	2520VQ 17A14 1CC 22R
3520VQ double vane pump	Front and rear 5, 8,9, 11,12, 14, 21,25, 30, 35, 38	3520VQ 25A5 1CC 22R	3520VQ 30A5 1CC 22R	3520VQ 35A5 1CC 22R	3520VQ 38A5 1CC 22R
		3520VQ 25A8 1CC 22R	3520VQ 30A8 1CC 22R	3520VQ 35A8 1CC 22R	3520VQ 38A8 1CC 22R
		3520VQ 25A9 1CC 22R	3520VQ 30A9 1CC 22R	3520VQ 35A9 1CC 22R	3520VQ 38A9 1CC 22R
		3520VQ 25A11 1CC 22R	3520VQ 30A11 1CC 22R	3520VQ 35A11 1CC 22R	3520VQ 38A11 1CC 22R
		3520VQ 25A12 1CC 22R	3520VQ 30A12 1CC 22R	3520VQ 35A12 1CC 22R	3520VQ 38A12 1CC 22R
		3520VQ 25A14 1CC 22R	3520VQ 30A14 1CC 22R	3520VQ 35A14 1CC 22R	3520VQ 38A14 1CC 22R
3525VQ double vane pump	Front and rear 10,12, 14, 17,19,21,25, 30, 35, 38	3525VQ 25A10 1CC 22R	3525VQ 25A12 1CC 22R	3525VQ 25A14 1CC 22R	3525VQ 25A17 1CC 22R
		3525VQ 30A10 1CC 22R	3525VQ 30A12 1CC 22R	3525VQ 30A14 1CC 22R	3525VQ 30A17 1CC 22R
		3525VQ 35A10 1CC 22R	3525VQ 35A12 1CC 22R	3525VQ 35A14 1CC 22R	3525VQ 35A17 1CC 22R
		3525VQ 38A10 1CC 22R	3525VQ 38A12 1CC 22R	3525VQ 38A14 1CC 22R	3525VQ 38A17 1CC 22R
4520VQ double vane pump	Front and rear 5, 8, 9, 11,12, 14, 42, 45, 50, 57, 60	4520VQ 42A5 1AA 22R	4520VQ 45A5 1AA 22R	4520VQ 50A5 1AA 22R	4520VQ 60A5 1AA 22R
		4520VQ 42A8 1AA 22R	4520VQ 45A8 1AA 22R	4520VQ 50A8 1AA 22R	4520VQ 60A8 1AA 22R
		4520VQ 42A9 1AA 22R	4520VQ 45A9 1AA 22R	4520VQ 50A9 1AA 22R	4520VQ 60A9 1AA 22R
		4520VQ 42A11 1AA 22R	4520VQ 45A11 1AA 22R	4520VQ 50A11 1AA 22R	4520VQ 60A11 1AA 22R
		4520VQ 42A12 1AA 22R	4520VQ 45A12 1AA 22R	4520VQ 50A12 1AA 22R	4520VQ 60A12 1AA 22R
		4520VQ 42A14 1AA 22R	4520VQ 45A14 1AA 22R	4520VQ 50A14 1AA 22R	4520VQ 60A14 1AA 22R
4535VQ double vane pump	Front and rear 21, 25, 30, 35, 38, 42, 45, 50, 57, 60	4535VQ 42A25 1AA 22R	4535VQ 45A25 1AA 22R	4535VQ 50A25 1AA 22R	4535VQ 60A25 1AA 22R
		4535VQ 42A30 1AA 22R	4535VQ 45A30 1AA 22R	4535VQ 50A30 1AA 22R	4535VQ 60A30 1AA 22R
		4535VQ 42A35 1AA 22R	4535VQ 45A35 1AA 22R	4535VQ 50A35 1AA 22R	4535VQ 60A35 1AA 22R
		4535VQ 42A38 1AA 22R	4535VQ 45A38 1AA 22R	4535VQ 50A38 1AA 22R	4535VQ 60A38 1AA 22R